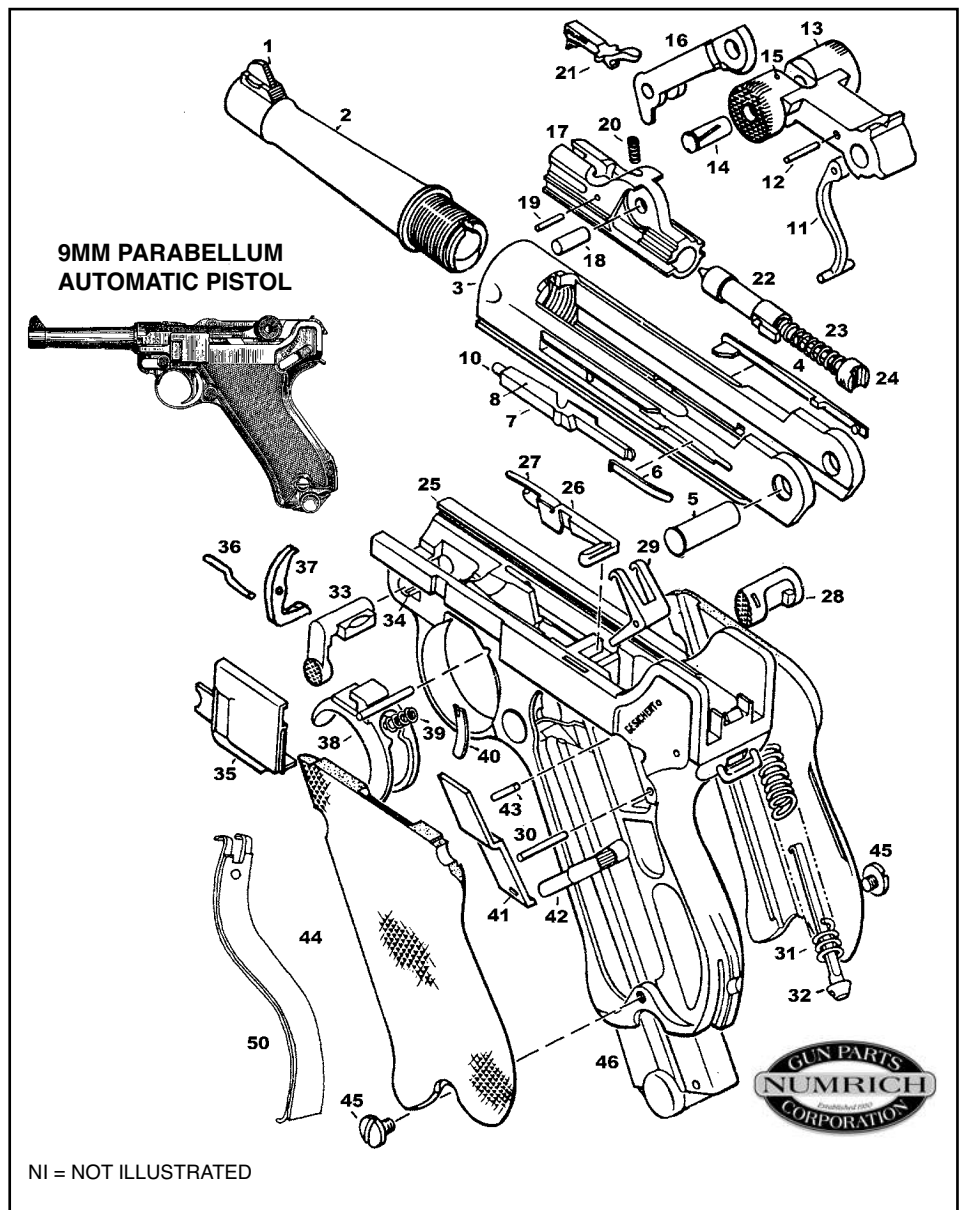


LUGER

MODEL P-08

KEY#	ITEM#	DESCRIPTION	PRICE
1	463400	Front Sight.....	28.15
2	463870	Barrel, 9mm, 4", New (1 In 16 Twist, Blue & Chambered).....	108.10
-	194880	Barrel, 9mm, 16-1/4", w/ Forend - Front Sight Not Included, NI.....	122.80
3	464170	Receiver.....	184.35
4	464230	Ejector.....	35.80
5	464290	Receiver Axle.....	5.30
-	464330	Receiver Axle, Headed, New Style, NI.....	5.85
6	464350	Trigger Bar Spring.....	11.05
7	464400	Trigger Bar.....	25.60
-	464530	Trigger Bar Assembly, NI.....	30.70
8	464430	Trigger Bar Plunger Pin.....	3.55
9	403320	Trigger Bar Plunger Spring, NI.....	3.25
10	464480	Trigger Bar Plunger.....	3.25
11	464570	Coupling Link.....	12.35
12	464630	Coupling Link Pin.....	2.70
13	464680	Toggle Link, Rear.....	31.95
14	464710	Toggle Axle.....	5.15
15	868610	Toggle Axle Pin.....	2.70
16	464790	Toggle Link, Forward.....	28.85
17	464820	Breech Block.....	83.05
18	464860	Breech Block Pin.....	3.90
19	464900	Extractor Pin.....	2.70
20	464940	Extractor Spring.....	2.70
21	464990	Extractor.....	17.30
22	465030	Firing Pin.....	36.00
23	465060	Firing Pin Spring.....	4.30
24	465080	Firing Pin Spring Guide.....	16.60
25	465160	Frame (FFL Req'd).....	184.35
26	465210	Hold Open Latch.....	42.15
-	465260	Hold Open Latch Assembly, NI.....	51.10
27	465290	Hold Open Latch Spring.....	13.10
28	465310	Magazine Catch.....	11.05
29	465330	Recoil Lever.....	11.85
30	465370	Recoil Lever Pin.....	2.70
31	465390	Mainspring.....	6.80
32	465420	Mainspring Guide.....	19.20
33	465440	Locking Bolt.....	23.70
34	465460	Locking Bolt Spring.....	4.60
35	465500	Trigger Plate (Sideplate).....	41.65
36	465520	Trigger Lever Pin.....	7.25
37	465550	Trigger Lever.....	19.20
38	465570	Trigger.....	23.10
39	432830	Trigger Spring.....	3.25
40	465620	Magazine Catch Spring.....	18.20
41	465640	Safety Bar.....	19.50
42	465680	Safety Catch.....	41.80
43	465710	Safety Pin.....	2.70
44	465750	Grips, Checkered Walnut.....	28.40/pr
44	465950	Grips, Plastic, Black Widow, Replacement.....	31.35/pr
44	466010	Grips, Plastic, Replacement.....	31.35/pr
45	466070	Grip Screw (2 Req'd).....	3.25ea
46	466090	Magazine, 7 Round, Replacement.....	29.20
47	466170	Takedown & Loading Tool, New Replacement (Uses: Removal Of Grips, Firing Pin Spring Guide, Ejector And Magazine Loading), NI.....	12.85



NI = NOT ILLUSTRATED

KEY#	ITEM#	DESCRIPTION	PRICE	KEY#	ITEM#	DESCRIPTION	PRICE
-	704890	Takedown Tool, Original, NI.....	17.60	-	351070-01	Magazine Bottom, Wood - Fits Early Standard P-08 Magazines, NI.....	16.70
49	466280	Sideplate Assembly (Includes Lever & Pin. Final Fitting Required), Replacement, NI.....	57.55	-	701250	Shoulder Stock, New - 13-1/2" x 1/2", Oil Finished Wood w/ Blue Steel Latch, NI.....	149.05
50	466330	Mainspring, Flat, Early Style.....	28.85	-	979030	Snail Drum Carrier, Leather, Replica, NI.....	43.25
-	953880	Cleaning Kit, Post WWII, NI.....	8.60ea				
-	978980	Holster, 8" Artillery, Replica Set, NI.....	48.65				
-	978960	Holster, Leather, Replica, NI.....	32.40				
-	954000	Magazine Bottom, Aluminum, NI.....	13.65				

NI = NOT ILLUSTRATED